



Dear business partners and clients!

In order to correspond to our clients' demands, alternatively we are pleased to offer renewed second hand machines, equipment and spare parts too.
Don't hesitate to contact us, even if you are looking for special purpose machines.

New arrivals:

1 pc. Cimbria Super Fine Cleaner type DELTA 104 – AS NEW

Year of construction: 2021

Capacity: up to 5 t/h based on wheat and 750 kg-1.000 kg/h based on grass seeds

For highest quality cleaning of seeds, malting barley, grass and garden seeds.

Price on request.





On our stock:

1 pc. cyclone brand JKF type CS-11 – NEW, not used

Ø 1.550 mm, left execution
galvanized
Special price € 2.495,00

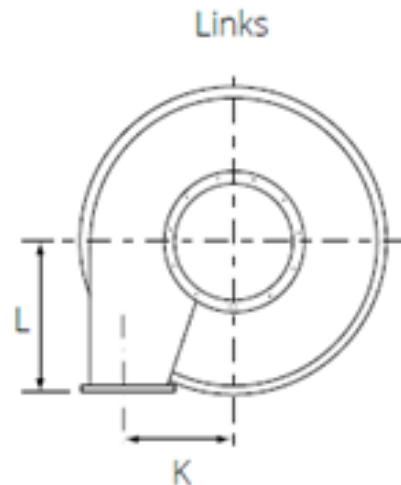
Accessories:

1 pc. frame for installation on the floor
free height 1,6 m
painted RAL 5010 (gentian blue)
Special price € 950,00

as well as:

1 pc. slider for installation under the cyclone
manually operated
Ø 300 mm
Special price € 295,00

All accessories are new, not used



Gross Bagging Scale for 30 – 50 kg

Mechanical operation.

Price on request.



Chemical treating

1 pc. chemical seed treater - NEW

for grain, peas, soya..

Capacity: 4-5 t/h

For liquid and viscous chemical treatment,

with 2 weighing bowls à 5 kg,

continuous mode of operation by tilting.

Gentle product treating - mixer equipped with rubber paddles.

Optional equipment: dual circuit of chemical treatment for soya

Price on request.





Storing and Drying



Storage containers also with outlet on the smaller side – NEW side especially for loading a seed drill

Painted / galvanized or in stainless steel execution
stackable, with forklift tracks from 4 sides
Multiple applications and easy handling:



Here with wheels and outlet spout.



**Special containers for collecting ash or dust.
Stainless steel containers for wet pumpkin seeds**



New GALVANIZED container types applicable also for the storage of wood pellets

A) type VZ-TM with hopper and outlet slider

dimensions: 1230 x 1070 x 1640 mm (l x w x h)
bolted construction - galvanized
capacity 1,3 m³
dimensions of outlet slider: 200 x 200 mm (l x w)
with forklift tracks on 2 sides
stackable.

B) type VZ-LC with flat bottom without outlet

dimensions: 1300 x 1140 x 1340 mm (l x w x h)
bolted construction - galvanized
capacity 1,4 m³
to be emptied by tilting
with forklift tracks on 2 sides
stackable.





**Dust-collecting containers with lateral discharge door or bottom outlet
Execution accord. to customer's specification!**





Big-Bag bagging rack – AS NEW

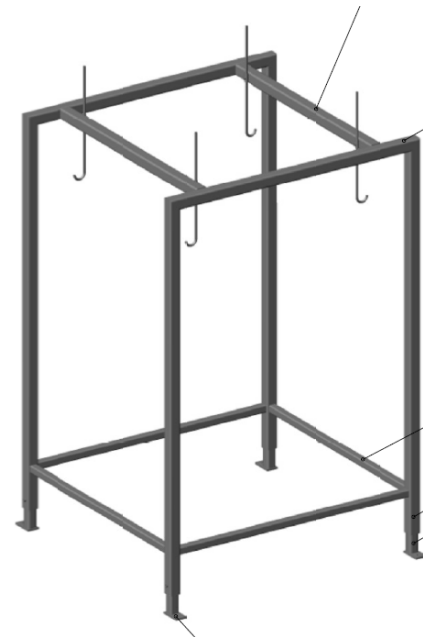
1,37 x 1,37 x 2,75 m (l x w x h)

Height adjustable for Big-Bags of height up to 1,6 m

Painted white.

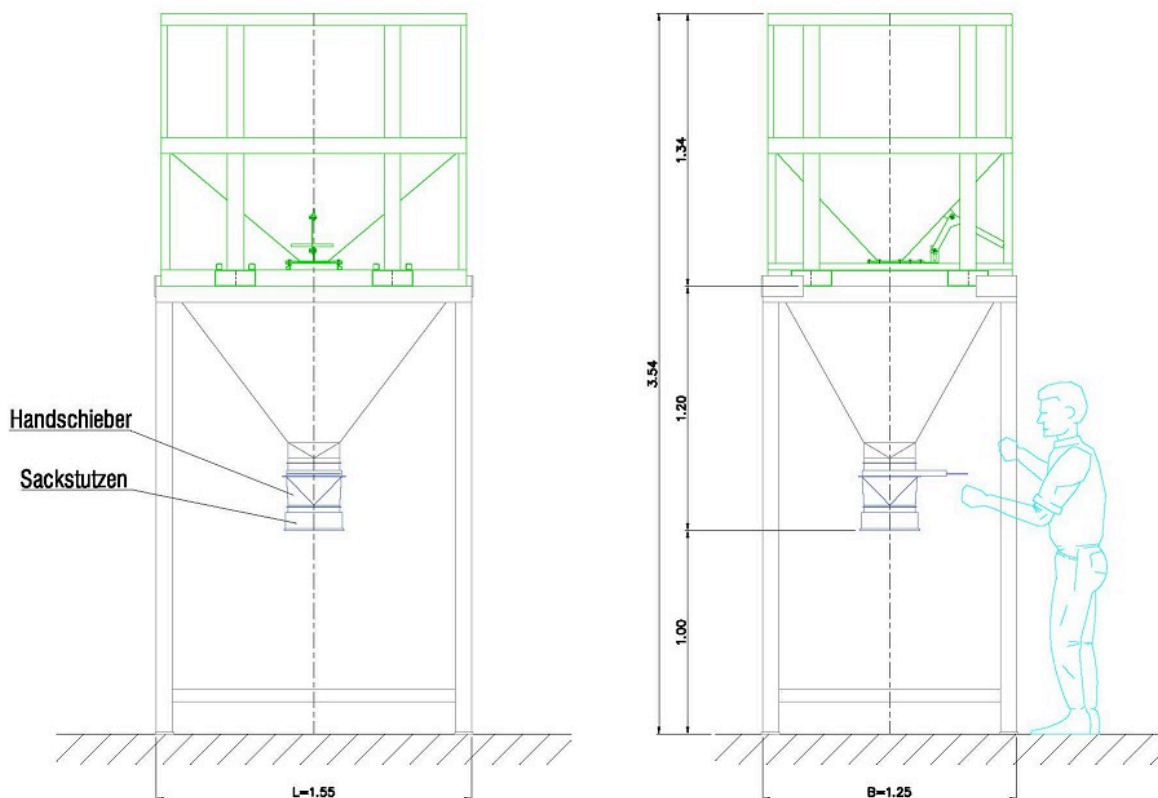
Price on request.

sample picture:



Constructions for the container – BigBag bagging

Execution accord. to customer's specification!





Further equipment

1 pc. fuel oil burner type OKLIMA SE 200 - NEW

heat output: 55 kW

for indirect heating

Netprice EXW Niederfellabrunn € 2.715,--

2 pcs. sampling device

Price per pc. € 300,--

Kindly inform us if you have any demand on further seed cleaning- or milling equipment.

ALL SECOND HAND MACHINES ARE SUBJECT TO PRIOR SALE!

Prices: net, ex work, if available

Best regards,
HDT GmbH